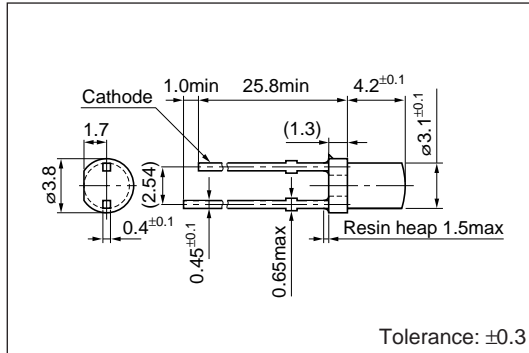


3 ϕ Cylindrical LED

SEL2011 Series

External Dimensions (Unit: mm)



Absolute maximum ratings (Ta=25°C)

Symbol	Unit	Rating	Condition
I_F	mA	30	
ΔI_F	mA/°C	-0.45	Above 25°C
I_{FP}	mA	100	f=1kHz, tw \leq 100 μ s
V_R	V	3	
Top	°C	-30 to +85	
Tstg	°C	-30 to +100	

Electrical Optical characteristics (Ta=25°C)

Emitting color	Part Number	Lens color	Forward voltage			Reverse current			Intensity		Peak wavelength		Spectrum half width		Chip material
			V_F (V)		Condition I_F (mA)	I_R (μ A)	Condition V_R (V)	I_v (mcd)	Condition I_F (mA)	λ_P (nm)	Condition I_F (mA)	$\Delta\lambda$ (nm)	Condition I_F (mA)		
			typ	max										typ	
Deep red	SEL2111R	Diffused red	2.0	2.5	10	50	3	0.7	10	700	10	100	10	GaP	
Orange	SEL2911D	Diffused orange	1.9	2.5	10	50	3	3.3	10	587	10	33	10	GaAsP	
Green	SEL2411G	Diffused green	2.0	2.5	10	50	3	18	20	560	10	20	10	GaP	